

# FLO-VU<sup>®</sup>

The Leader in Sight Flow Technology

Bull's Eye  
Sight Indicators

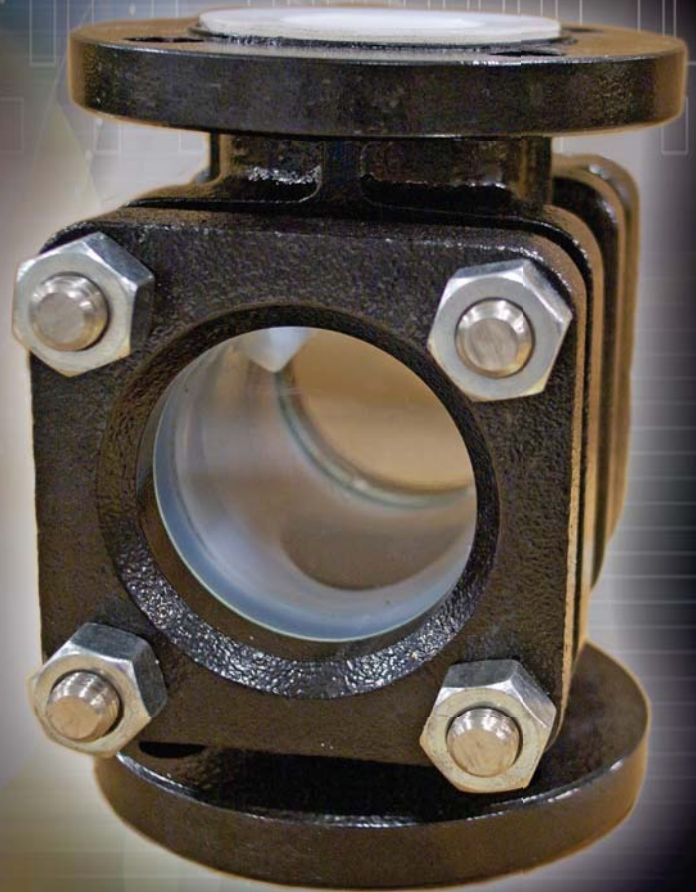
Guaranteed Not To Leak

*Flo-Vu<sup>®</sup> PFA lined Bull's Eye sight indicators are ideal for visual fluid motion, flow & color inspection. They are designed for tough applications that require a rugged ductile iron housing and thick Borosilicate glass for impact resistance. Flo-Vu's PFA lining provides the ultimate in chemical resistance from (-)20°F to (+)400°F and is full vacuum rated.*

**Flo-Vu is resistant to:**

*all acids  
all solvents  
all organic and inorganic chlorides & sulfates  
all bleach solutions  
all phenols  
all caustics  
all peroxides*

*When compared to competitive brands, Flo-Vu excels with 1-1/2 times more viewing area, powder coat epoxy paint standard and an integral drip lip at no extra charge.*



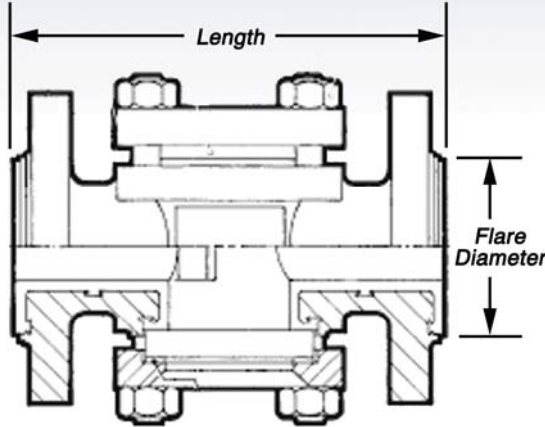
**ETHYLENE<sup>®</sup>**  
an ANDRONACO INDUSTRIES company



# FLO-VU®

The Leader in Sight Flow Technology

High Pressure & Temperature Rated  
excellent safety & reliability



Size	Length	Flare Diameter
1"	6"	2"
1-1/2"	7"	2-1/2"
2"	8"	3-1/8"
3"	9-1/2"	5-1/8"
4"	11-1/2"	6-5/16"
6"	14"	8"

Larger sizes available

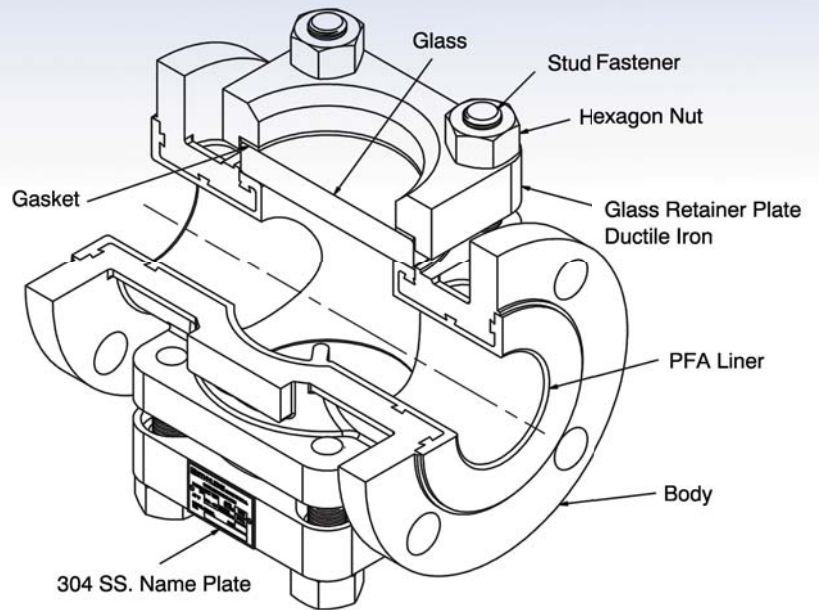
## How to Order

SIZE	Part Number
1"	SFB - DI - 100 - *A
1-1/2"	SFB - DI - 150 - *A
2"	SFB - DI - 200 - *A
3"	SFB - DI - 300 - *A
4"	SFB - DI - 400 - *A
6"	SFB - DI - 600 - *A

\*Substitute "A" for the following options  
B = FEP sheet under glass  
C = Special Bolting hardware

# Bull's Eye Sight Indicators

Guaranteed Not To Leak



## Designation      ASTM / Material

Body	Ductile Iron ASTM A395
Lining	Virgin PFA
Glass	Borosilicate - Option w/ Clear FEP
Gasket	Asbestos Free - Compressed Sheet
Stud Fastener	Zinc Plated ASTM A193 Gr. B7
Hexagon Nut	Zinc Plated ASTM A194 Gr. 2H

## Pressure-Temperature

